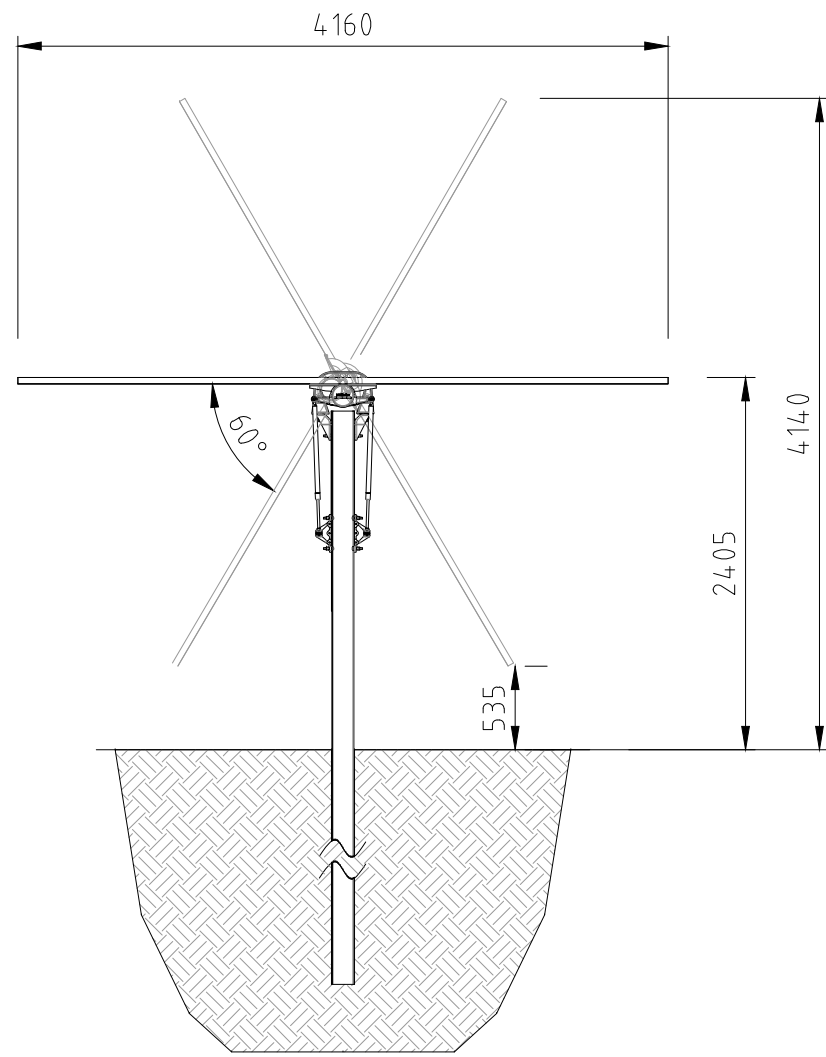


ENTURA IS A BUSINESS OF HYDRO-ELECTRIC CORPORATION ABN 48 072 377 158



TRACKER ELEVATION  
SCALE 1:50



DRAWN	GjS
CHECKED	
DESIGNED	
CHECKED	
APPROVED	
DATE	
CLIENT APP'D	
DATE	

**entura**  
WE OWN. WE OPERATE. WE CONSULT.  
[www.entura.com.au](http://www.entura.com.au)  
© COPYRIGHT 2019

NO PART OF THIS DRAWING MAY BE REPRODUCED, STORED IN A RETRIEVAL SYSTEM IN ANY FORM, OR TRANSMITTED BY ANY MEANS WITHOUT THE PRIOR PERMISSION OF ENTURA.

CLIENT	SOUTH ENERGY	ENGAGEMENT No:	E307810
TITLE	FRASERS SOLAR FARM		
	TRACKER ELEVATION		
DRG No.	E308127	SHT.	022
		REV.	A3